

EXACT8, 10XM8, 3 POLE MOULDED CABLE

10.0m PUR 10*0,34+2*0,75 exit norm..

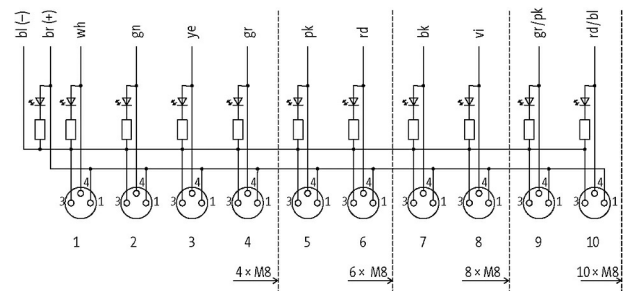
10-way, 3-pole

Further cable lengths on request.

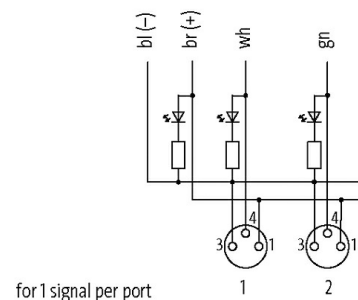
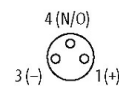
Plastic housings with good resistance against chemicals and oils.

The resistance to aggressive media should be individually tested for your application. Further details on request.

10.0 m

[Link to Product](#)**Illustration**

M8-Females 3-pole



for 1 signal per port

Product may differ from Image

Approvals**Contact Layout**

PIN 1	(+)
PIN 3	(-)
PIN 4	(NO)/(S1)
LED display	LED (green): Power / LED (yellow): (S1)

General data

Temperature range	-20...+80 °C, depending on cable quality
-------------------	--

Cables

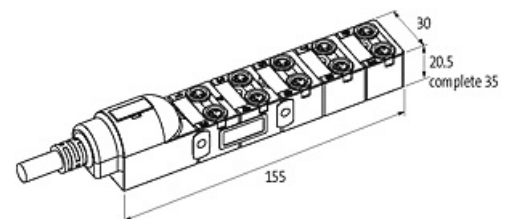
Cable number	384
No./diameter of wires	10× 0.34 + 2× 0.75 mm ²
C-track properties	5 Mio.
Jacket Color	gray
Material (jacket)	PUR (UL/CSA)
Outer Ø	9.3 mm ±5%
Bend radius (fixed)	5× outer Ø
Bend radius (moving)	10× outer Ø
Temperature range (fixed)	-40...+80 °C
Temperature range (mobile)	-5...+60 °C
Color (jacket)	gray
Approval (cable)	UL (AWM-Style 20233), CSA

Technical Data

Operating voltage	24 V DC
Operating current per contact	max. 2 A
Total current	max. 8 A
Signal per port	1 - (31-32)
Protection	IP65/IP67
Housing	Plastic, flame retardant
Locking of ports	Screw thread (M8×1 mm)

Commercial data

country of origin	DE
customs tariff number	85444290
EAN	4048879056984
eClass	27279219
Packaging unit	1

Sketch

Product may differ from Image